

WH 75 FPC

Item no.: 2220

Fixed wall mount with PC compartment

The WH 75 FPC is a fixed wall mount for screens with a size of 40 - 65 " | 102 - 165 cm.

The wall bracket has an innovative pull-out mechanism, which is not just for assembly of a mini PC, but also enables access to it during operation. The excerpt is expandable up to 600 mm max.

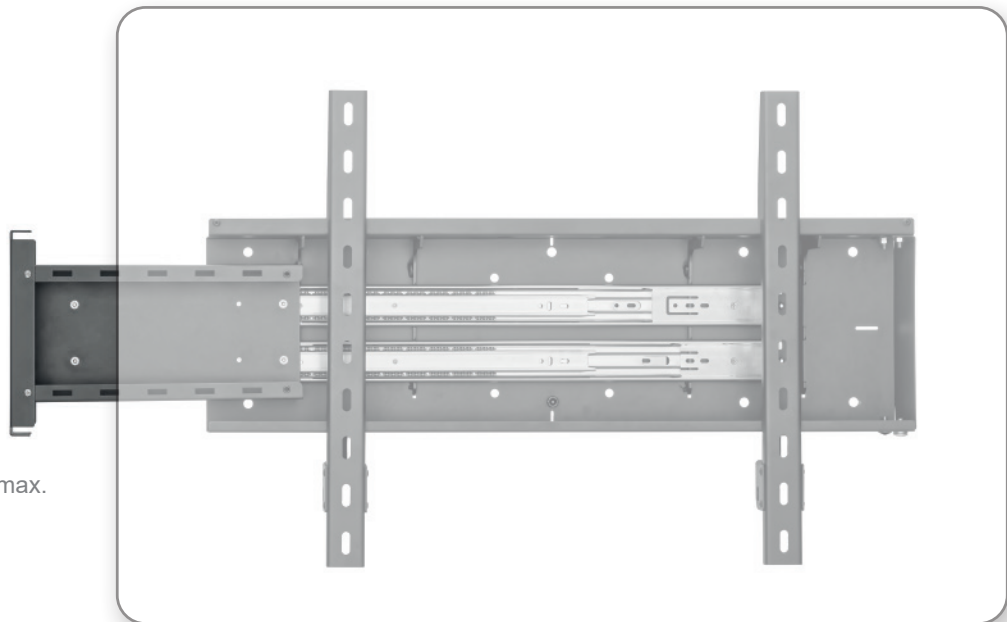
The locking mechanism of the pull-out function provides protection against unauthorized access.

The VESA universal mount is included in the scope of delivery and includes the VESA standard up to a maximum of VESA 600 x 400 mm.

The screen can be assembled in landscape or portrait orientation (depending on screen size).

The PC compartment as well as the VESA arms can be secured with a padlock (not included).

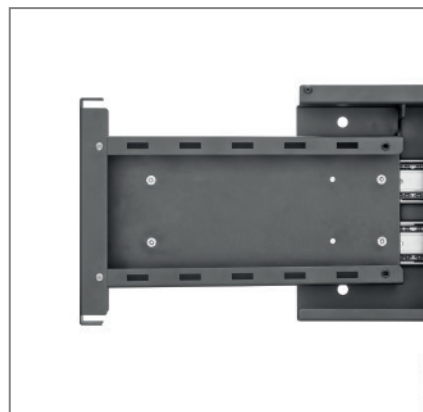
The surface of the bracket is finished with an impact and scratch-resistant powder coating in black.



extendable, 750 mm max.



Lockable mechanism,
optionally usable



PC compartment,
W 300 x H 154 x D 68 mm



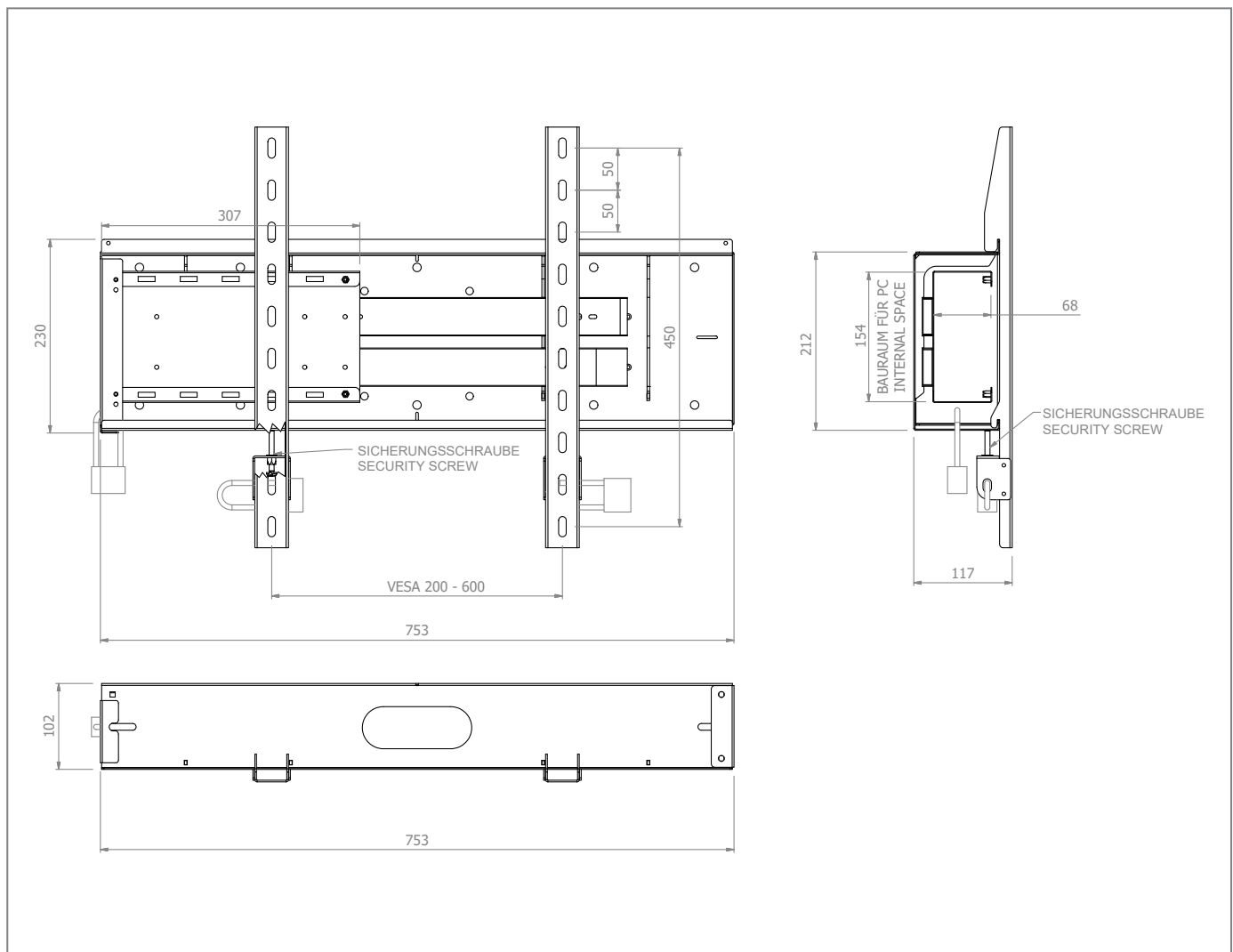
VESA 600 x 400 mm max.;
distance to wall 117 mm

WH 75 FPC

Item no.: 2220

Fixed wall mount with PC compartment

- for screens from 40 - 65" | 102 - 165 cm
- installation in landscape or portrait format (depending on screen size)
- incl. VESA universal holding fixture, VESA 600 x 400 mm max.
- 117 mm distance to wall
- incl. innovative pull-out mechanism, e.g. B. for a mini PC
- access to the mini-PC during operation possible
- 80 kg maximum load
- impact and scratch proof powder coating
- Colour: black
- Optionally, the PC compartment and the VESA arms can be secured with padlocks. These are not included.



Technical changes reserved